

# Connector PowerTOP Plus

Part Number: 3409



**MENNEKES**

Elektrotechnik GmbH & Co. KG  
Aloys-Mennekes-Straße 1  
57399 KIRCHHUNDEM GERMANY  
[www.MENNEKES.org](http://www.MENNEKES.org)

# Product Description

- Screw terminals ErgoCONTACT®
- X-CONTACT®
- Strain relief and protection against kinking
- Enclosure with thread lock and safety slide

# Technical Details

Connector - PowerTOP Plus	3409
Product series	PowerTOP Plus
Ampere	16 A
UL-Ampere	-
Number of Poles	5 P
Clock position	6 h
Voltage	400 V
Hertz	50-60 Hz
Current Type	AC
Protection Type	IP44
Contact carrier	Standard X-CONTACT®
Pilot contact	Without pilot contact
Connection	Screw-terminals - ErgoCONTACT®
Screw drive Contact screw	Combination head screw (PZ2 and slotted)

Conductor cross-section min.	1 mm <sup>2</sup>
Conductor cross-section max.	2,5 mm <sup>2</sup>
Cable kink protection	Integrated in cable gland
Dirt spout	Without dirt spout
Weight (net)	255 g
EAN / Identification number	4015394296461

### Permissible ambient conditions

Permanent ambient temperature min. - max.	-25 °C - +40 °C
---	-----------------

### Material properties

Hinged lid	PC similar RAL 3013 red
Cover	PA6 similar RAL 7000 grey
Front part	PA6 similar RAL 3013 red

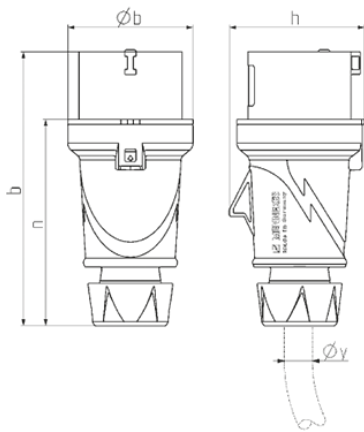
### Material resistance

The material resistance overview can be found on the website in the section “Knowledge” → “Product knowledge” → “Materials”

**Regulations and Standards**

REACH (Regulation (EG) No. 1907/2006)	Information according to article 33 REACH: SVHC: Lead (CAS: 7439-92-1)
RoHS 2011/65/EU incl. 2015/863/EU	✓
POP Regulation (EU) 2019/1021	✓
Norm(s)	IEC 60309-2
Declaration of conformity	CE
Test mark	VDE, CQC

# Dimensional drawing



Drawing	Amp. Poles	16			32		
		3	4	5	3	4	5
<b>2 MB 254</b>							
Dim. in mm	a	144	153	153	188	188	188
	b	55	68	68	78	78	78
	h	58	70	74	81	81	86
	n	107	116	116	142	142	142
y min. from		7	8	8	10.5	10.5	13.5
to max. mm		-13	-15.5	-15.5	-18	-18	-20
Terminal for cond. cross		1	1	1	-2.5	-2.5	-2.5
section (mm <sup>2</sup> ) min.-max.		-2.5	-2.5	-2.5	-6	-6	-6